



**G. S. I. Inc.**

*Manufacturer & Distributor of Aerospace Lighting*

**Godfrey Systems International, Inc.**

3051 Pine Street

Clearwater, FL. 33763-0914 ■ U. S. A.

Tel: (727) 799-4916 ■ Fax: (727) 724-0212

E-Mail: [Tim.Godfrey@gsilight.com](mailto:Tim.Godfrey@gsilight.com), [gsiinc@knology.net](mailto:gsiinc@knology.net)

## LOW INTENSITY LED OBSTRUCTION LIGHT

### Compliance:

ICAO Annex XIV, Vol. I Par. 6.3.23  
FAA AC 150/5345-43F

### Applications:

The low intensity LED obstruction light is designed in accordance with the requirements of ICAO (Annex 14, Vol. I, par. 6.3.23) and is dedicated to the night signaling of obstacles.

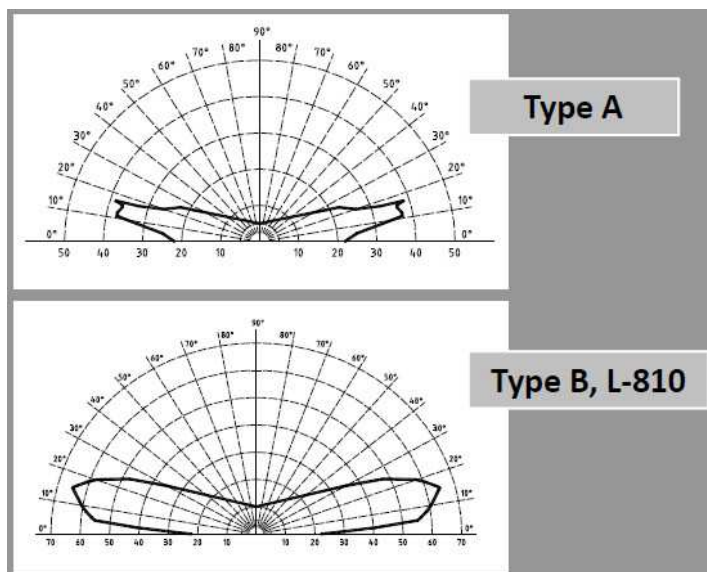
The signal installs state-of-the-art red/orange LED high-flux technology to significantly save on power consumption and to drastically increase lifetime, so that life cycle costs are reduced with respect to the standard incandescent lamps. The signal is NVG compatible without any additional external filter.

The signal can be operated at 12 or 24Vdc (type A), 24Vdc (type B) and 120 or 230Vac (both) as an input voltage with a steady light. The mechanical interface for mounting is a threaded 1" bottom hub.

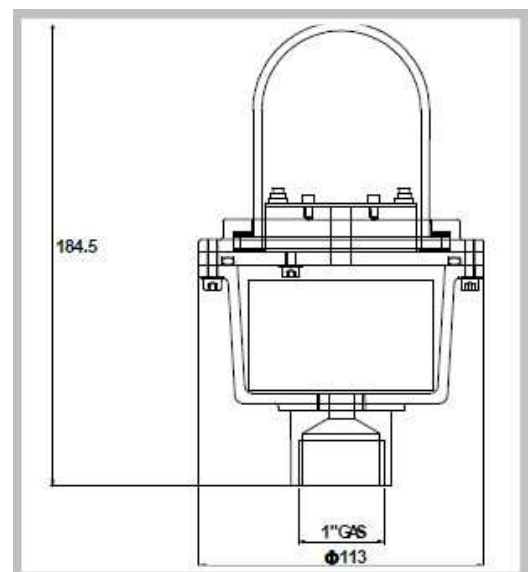
The system is available as a single or dual unit, with increased performance (>50 cd), and for remote installation with solar panel power supply.



### Photometric Characteristics:

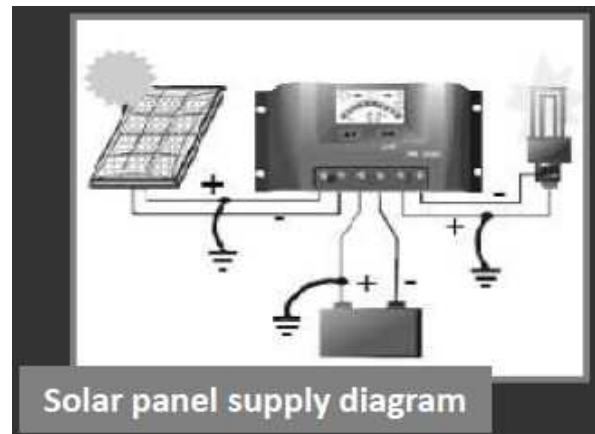


### Mechanical Interface:



## Technical Characteristics:

- Light alloy body, with inhibiting treatment.
- Thermal resistant white glass cap.
- Input Voltage: 12 or 24Vdc, 120 or 230 V, 50/60Hz.
- State-of-the-art high-flux LED technology (100.000 hours life) - NVG compatible.
- Electrical Power: 6 W type A, 15W type B.
- Watertight Enclosure: IP 65 (complying to EN 60529), with self-contained wiring compartment to eliminate additional boxes.
- Temperature Range: -55°C + 55°C.
- Earth grounding provisions provided.
- Delivery Package: 3 Kg., 200 x 200 x 300 mm.
- Mechanical Interface: Threaded 1" bottom hub.



## Options:

- Available as single or dual unit.
- Available in high performance configuration (> 50 cd).
- Available for remote installation with solar panel power supply consisting of: photovoltaic module, charge regulator, 100Ah battery in watertight case, crepuscular sensor, and interface with pole. 7 days autonomy in the worst conditions (calculated at GPS: East: 11° - North: 46°).

## Packaging Data:

### PACKAGING DATA

Box: 20x20x20 cm Weight: 3kg

### ORDERING INFORMATION

OLI - S S S - S - S

#### **Voltage**

012= 12VDC  
024= 24 VDC  
120= 120 VAC  
230= 230 VAC

#### **Type**

A= ICAO Type A  
B= ICAO Type B and  
FAA L-810

#### **Mechanical Interface**

S= Standard 1"  
C= Custom (to be specified specify)

**Sold & Serviced in the United States & Canada by G. S. I. Inc.**

**Website:** [www.gsilight.com](http://www.gsilight.com)

### Manufactured by:

L3 Calzoni

Via A. Gasperi 7 ■ 40012 Calderara di Reno (BO) ■ Italy

Tel: + 39 05 14 13 77 ■ Fax: + 39 05 14 13 75 55

E-mail: [calzoni.general@l-3com.com](mailto:calzoni.general@l-3com.com) ■ Website: [www.calzoni.com](http://www.calzoni.com)

