



G. S. I. Inc.

Manufacturer & Distributor of Aerospace Lighting

Godfrey Systems International, Inc.

3051 Pine Street
Clearwater, FL. 33763-0914 U. S. A.

Tel: (727) 799-4916 Fax: (727) 724-0212

E-Mail: Tim.Godfrey@gsilight.com, gsiinc@knology.net

MARINE LED ILLUMINATED WINDCONE

Compliance:

ICAO Annex XIV, Vol. II Par. 5.1.1

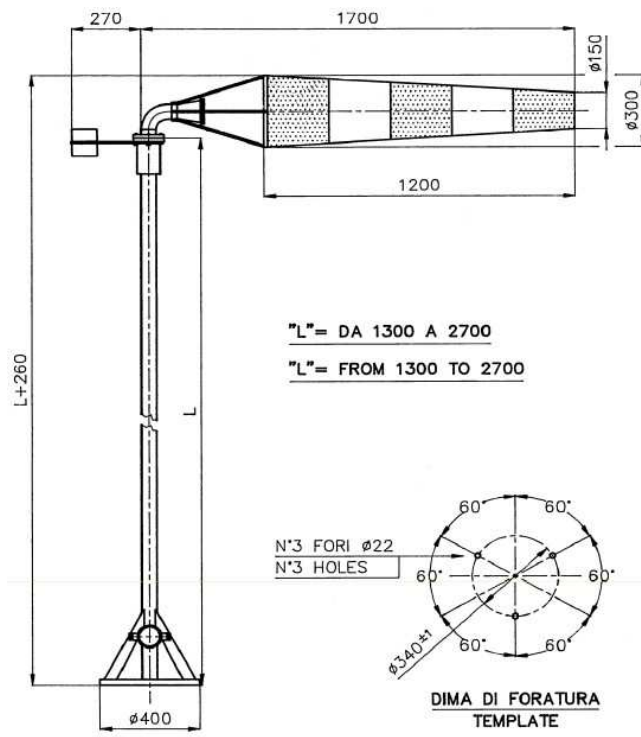


Applications:

ICAO recommends the use of at least one wind direction indicator (windcone), illuminated type, in case of night operations. The windcone mainly consists of a support structure and a fabric cone (truncated cone shape) with the characteristics requested from the ICAO standard. The windcone should be located to ensure a full visibility, avoiding any effects of turbulence and any disturbance to the maneuver; if not possible, two windcone should be positioned in different places. The internally illuminated windcone is available, for offshore and ship applications, in 120 cm long fabric sock, like that for elevated heliports, according to the ICAO standards (Annex 14, Vol. II, par. 5.1.1). The internal lighting is obtained by a LED source with high reliability and low maintenance.



Mechanical Interface:



Technical Characteristics:

- Zinc-plated steel structure with polyurethane painting on polyester primer (orange RAL 2004); marine environmental surface treatment.
- Sock-holder frame turning on bearing with sliding contacts.
- Drip-proof projector to light the sock from inside (IP44 according to EN 60529).
- Temperature range $-55^{\circ}\text{C} + 55^{\circ}\text{C}$.
- Power supply 100 , 240 V - 50/60Hz, 12 or 24 VDC.
- LED luminous source.



Packaging data

- 2 boxes: rotating part 80x40x40 cm; pole (h 260cm)
- Weight: 25kg

WARNING!

The equipment is not idoneous for mounting on normally flammable surfaces

ORDERING INFORMATION

MLWC- S S S - S - S

Voltage

012 = 12 VDC

024 = 24 VDC

240 = 100-240 VAC

Height/Sock

S= H 2.3m, sock 120cm, diameters 30/15

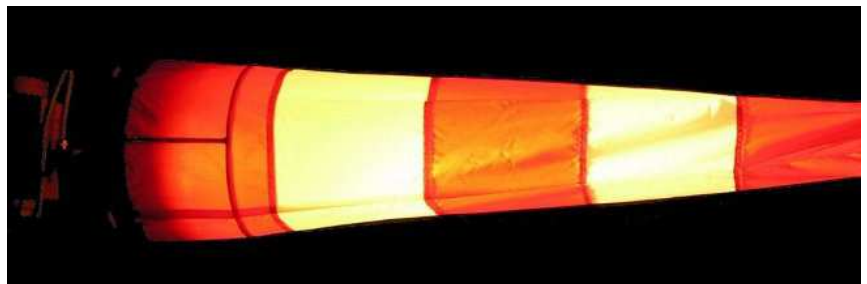
Obstruction

X= no

O= with obstruction light on top

Electrical Interface:

Each unit is fitted up with a 3m three poles power supply cable (3 x 1,5 mmq) (blue, black and yellow/green) .



Sold & Serviced in the United States & Canada by G. S. I. Inc.

Website: www.gsilight.com

Manufactured by:

L3 Calzoni

Via A. Gasperi 7 ■ 40012 Calderara di Reno (BO) ■ Italy

Tel: + 39 05 14 13 77 ■ Fax: + 39 05 14 13 75 55

E-mail: calzoni.general@l-3com.com ■ Website: www.calzoni.com

